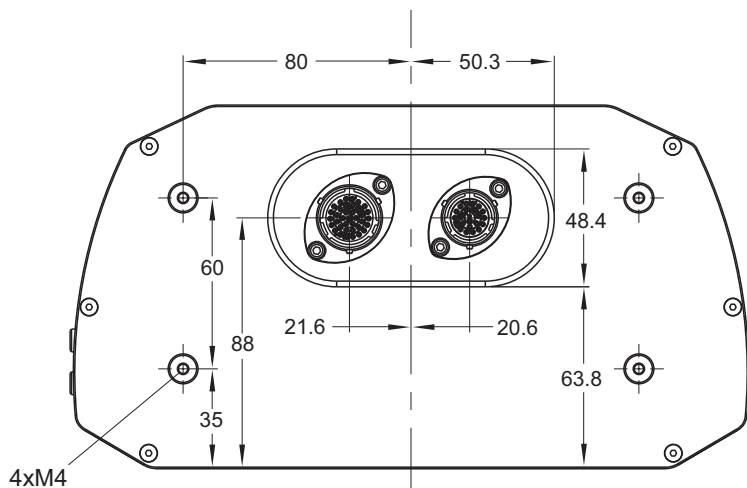
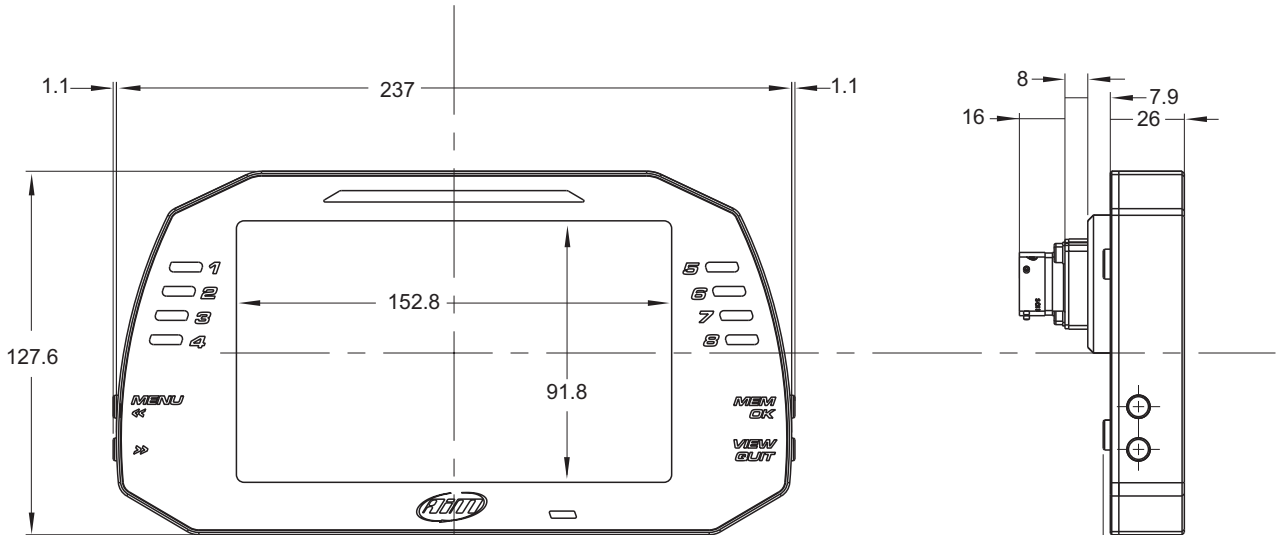
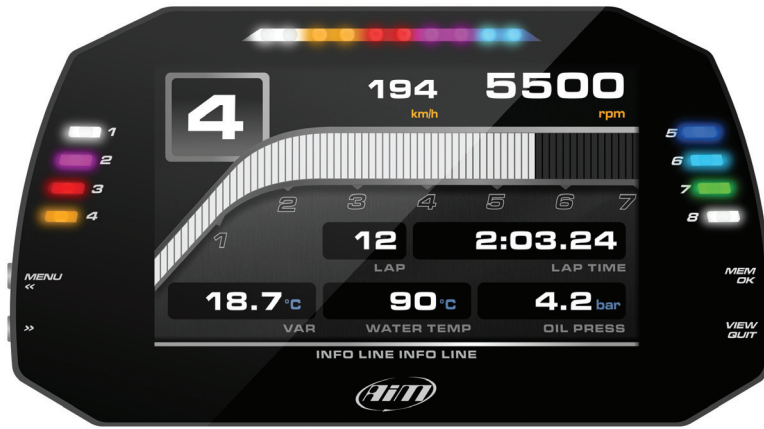


AiM MXG

Dash logger



AiM MXG

Dash logger

Technical Specifications

Display	7" color TFT
Resolution	800 x 480 pixels
Contrast	1,000:1
Brightness	1,100 lumens
Ambient light sensor	Yes
Alarm lights	8 configurable RGB LEDs
Shift lights	10 configurable RGB LEDs
CAN connections	3
ECU connections	CAN, RS232, and K-Line
ECU compatibility	Supports over 700 OEM and aftermarket ECUs
CAN expansion	GPS, channel expansions, thermocouple expansions, Lambda controllers, SmartyCam
Analog inputs	8 (expandable)
Digital inputs	4 speed inputs, lap signal, coil RPM input
Sampling frequency	5,000 Hz system total; 1,000 Hz per channel max, 0.05 Hz per channel min
Digital outputs	2 (1 amp max per output)
Inertial sensors	Internal 3-axis accelerometer ($\pm 5g$) and 3-axis gyroscope
Internal memory	4 GB
Body	Anodized aluminum
Connectors	2 autosport connectors
Dimensions	237 x 127.6 x 26 mm (9.33 x 5.00 x 1.02 inches)
Weight	950 g (33.51 ounces)
Power consumption	400 mA
Environmental	IP65

AiM MXG

Dash logger

Kit Includes

MXG, GPS module, USB cable, 37-pin primary harness, RaceStudio 3 software

Available Kits

MXG kit with GPS module, 1.3 m (51 inch) cable	X19MXGGPS130	\$2,599
MXG kit with GPS module, 4.0 m (157.5 inch) cable	X19MXGGPS400	\$2,599

Options

22-pin expansion harness	V02573020	\$355
--------------------------	------------------	-------

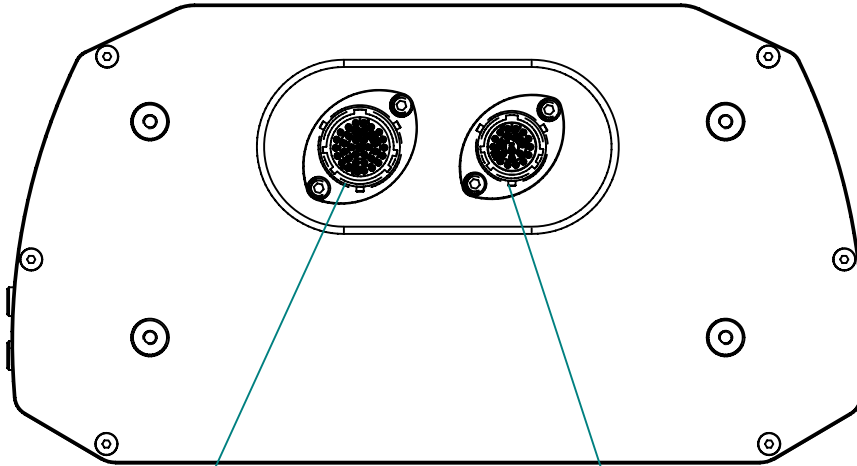
Spare Parts

37-pin primary harness	V02573010	\$425
GPS module, 1.3 m (51 inch) cable	X40GPS5B130	\$299
GPS module, 4.0 m (157.5 inch) cable	X40GPS5B400	\$299
USB mini bulkhead adapter	V02573030	\$40
USB cable	X90TMPC002	\$10

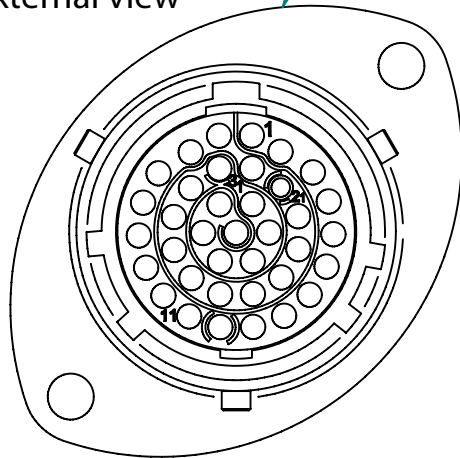
MXG PINOUT

Pin	Autosport 37-Pin
1	9-15V power in
2	Battery ground
3	CAN+ EXP
4	Ground
5	+V battery CAN
6	CAN- EXP
7	+V battery ext.
8	CAN1+ ECU
9	CAN1- ECU
10	Ground
11	K-Line ECU
12	USB D+
13	USB D-
14	Ground
15	RPM
16	Ground
17	+V battery
18	Optical lap
19	Speed 1
20	Ground
21	+V battery
22	Analog input 1
23	Analog ground
24	+V battery
25	+V reference
26	Analog input 2
27	Analog ground
28	+V battery
29	+V reference
30	Analog input 3
31	Analog ground
32	+V battery
33	+V reference
34	Analog input 4
35	Analog ground
36	+V battery
37	+V reference

Pin	Autosport 22-Pin
1	Analog input 5
2	Analog ground
3	+V battery
4	+V reference
5	Analog input 6
6	Analog input 7
7	Analog ground
8	+V battery
9	+V reference
10	Analog input 8
11	Speed 2
12	Ground
13	+V battery
14	Speed 3
15	Speed 4
16	Ground
17	CAN2+ ECU
18	CAN2- ECU
19	Digital out 1
20	Digital out 2
21	RS232 TX
22	RS232 RX



Primary 37-pin male connector pinout, external view



Expansion 22-pin male connector pinout, external view

